

RS 8-R



8 Channel Speaker Redundant Switch



Main Features

The RS8-R is a Relay switching unit with 8 inputs for connection of 8 amplifiers, 2 inputs for connecting the back-up amplifiers and 8 output lines.

The 8 output lines are normally connected directly to the inputs, so to the outputs the primary amplifiers.

In case of failure on an amplifier, through serial commands or logic inputs, you can disconnect the line of this amplifier and connect it to the backup amplifier.

The module can handle up to two amplifiers, each of which is available for 4-lines input-output.

The first backup amplifier (Spare A) is associated to lines 1-4, while the second backup amplifier (Spare B) to lines 5-8.

If there's a single backup amplifier, you can handle the switching of all 8 lines to one amplifier simply by connecting in parallel the inputs Spare A and Spare B.

In order to verify a correct serial communications the transmission system can do polling at predetermined

intervals (< 2 sec) of the RS8-R, so in case of wrong string reception it will indicate the no communication error.

The device can be controlled through serial communication according to the standard RS-232 or RS-485.

For each module RS8-R a unique address (ID) can be configured by a dipswitch, with values in the range 1-255, for the purpose of multi-device control on RS-485 bus.

Thanks to the internal microcontroller on the front panel is indicated by LEDs the activation status of individual channels and the presence of possible errors.

RS8-R can handle an amplifier up till 600 watts of power, for low impedance loads (4-8 Ohm) or constant voltage 70-100 Volt loads (the type of backup amplifiers must be the same of the main amplifiers).

However you can handle two different types of amplifiers using separate backup inputs Spare A and Spare B.

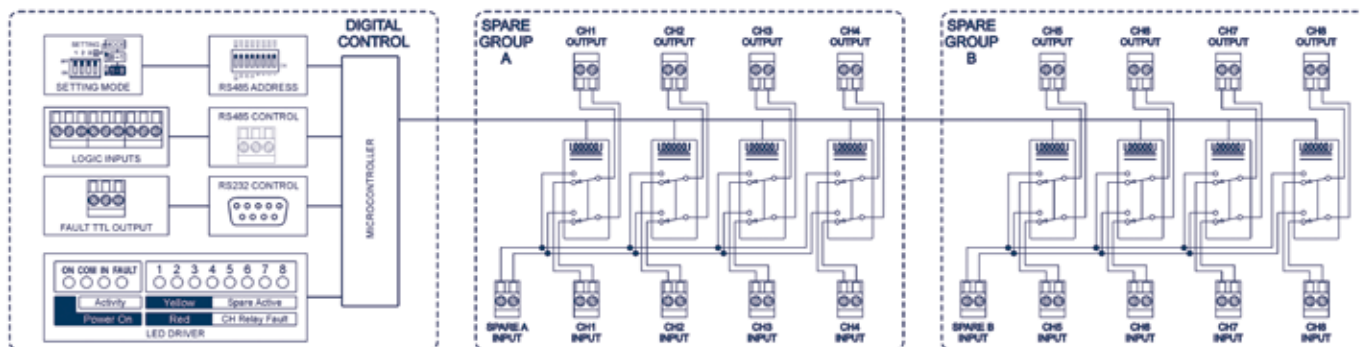
The device is powered at 110 or 230 Volt AC, selectable by an internal switch.

The input and output terminals with screw are removable and can accept cables with 4 mm² maximum section.

Detachable front panel module for convenient rack 19" mounting and management.

Rear Panel (Inputs/Outputs)

- 1 RS232 port
- 2 RS485 port
- 3 RS485 Address Dip-switch
- 4 Operation mode Dip-switch
- 5 Logic inputs
- 6 +12V and fault relays
- 7 Spare inputs A and B
- 8 CH1-CH8 inputs /outputs
- 9 AC Mains 110- 230 Vac



Technical Characteristics

Switching Lines: 8

- Lines 1- 8 with inserting on SPARE AB
- Lines 1- 4 with inserting on SPARE A
- Lines 5- 8 with inserting on SPARE B

Max power for 4-8 ohms lines amplifiers: 600 watts

Max power for 70-100V lines amplifiers: 800 watts

Control : RS-232 RS485 logic contacts

Addressable Units: up till 256

Power Supply: Integrated

Connections: Line 4 mm removable clamps
Logic inputs 1,5mm. removable clamps

Frontal Leds: • Power ON/OFF
• RS-232 / RS-485 Communication
• Internal Fault
• Backup Line Activation (yellow)
• Relay switching Fault (red)

Fault warning: Output relay clear contact - Generic fault
Serial communication Rs-232 / RS-485

Dielectric strength : 4kv

AC Mains: 110-230 volt (Internally selectable)

CEE Directive Compliant: Safety (LVD): EN 60065

Electromagnetic Compatibility (EMC): EN 55103-1
EN 55103-2

Size: 1 rack unit 45mm (H) x 440mm (W) x 170mm (D)

Weight: 1.9 kg